



INSTALLATION INSTRUCTIONS

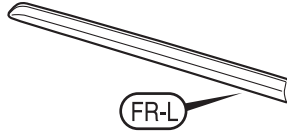
Accessory
BODY SIDE MOLDINGS

Application
**2014 CIVIC
2-DOOR**

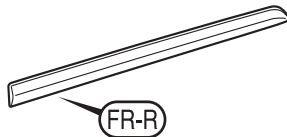
Publications No.
All 50701
Issue Date
NOV 2013

PARTS LIST

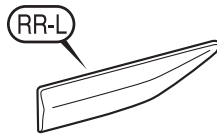
Left front body side molding (marked FR-L)



Right front body side molding (marked FR-R)



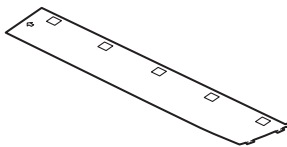
Left rear body side molding (marked RR-L)



Right rear body side molding (marked RR-R)



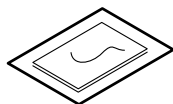
Front template



Rear template



4 Alcohol wipes



TOOLS AND SUPPLIES REQUIRED

Masking tape

Ruler

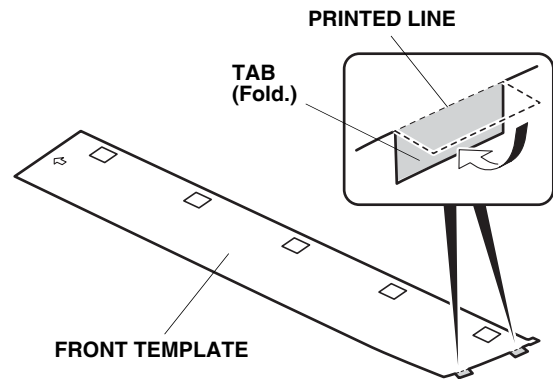
The following tool is available through the Honda Tool and Equipment Program. On the iN, click on: Service > Service Bay > Tool and Equipment Program, then enter the number under "Search". Or, call 888-424-6857.

- Rubber Roller (T/N MHLE54D)

INSTALLATION

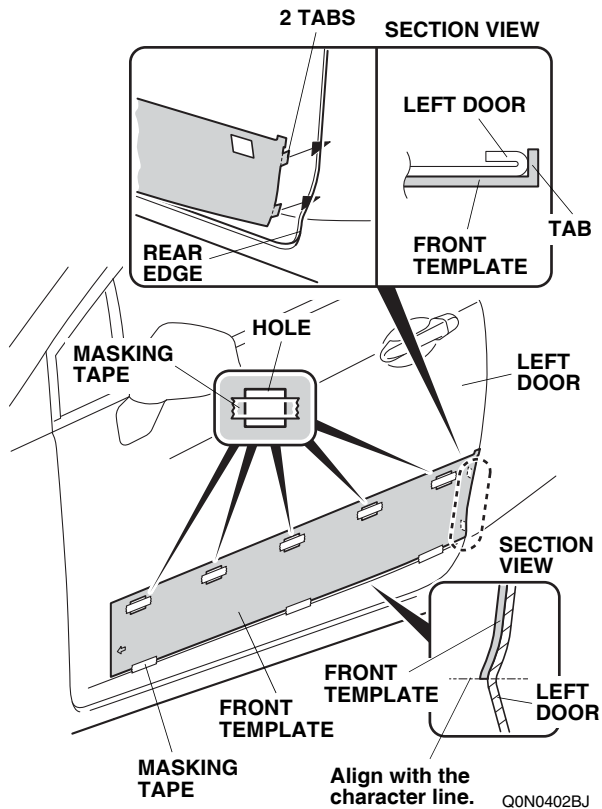
NOTE:

- If you are also installing door edge guards (sold separately) or door edge film (sold separately), install them before you install the body side moldings.
 - These instructions show the left body side moldings being installed. The same procedure applies to installing the right body side moldings.
 - Be careful not to damage the paint finish.
 - This body side moldings kit should be installed only if the ambient air temperature is 15°C (60°F) or above.
 - To allow the adhesive to cure, do not wash the vehicle for 24 hours. Please advise the customer.
1. Fold the two tabs on the front template along the printed line as shown.

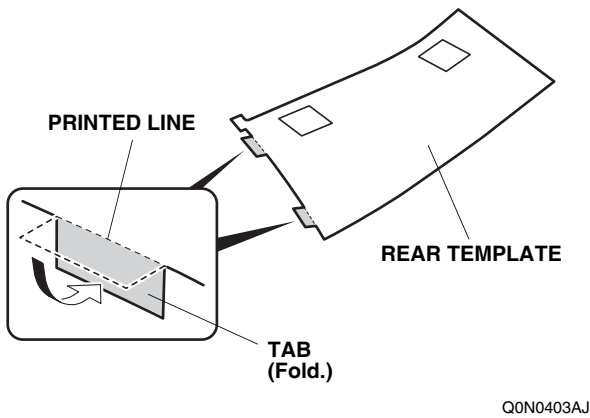


Q0N0401AJ

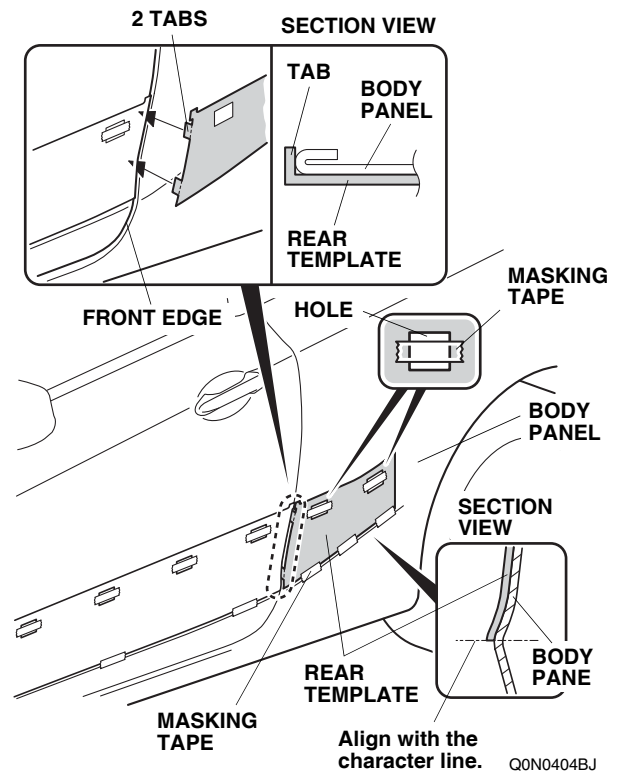
- Align the two tabs on the front template against the rear edge of the left door.



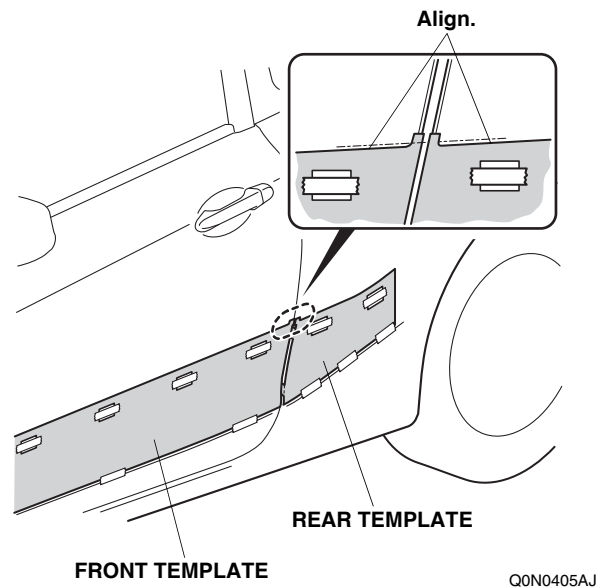
- Align the front template with the character line on the left door, and attach the front template to the left door using strips of masking tape.
- Fold the two tabs on the rear template along the printed line as shown.



- Align the two tabs on the rear template against the front edge of the body panel.

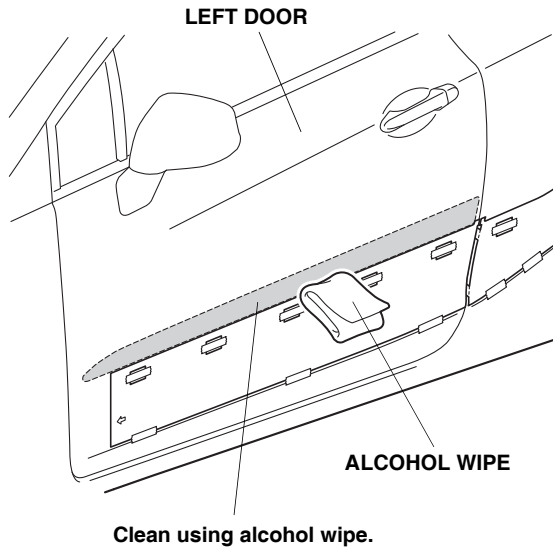


- Align the rear template with the character line on the body panel, and attach the rear template to the body panel using strips of masking tape.
- Make sure the top edges of the front and rear templates are aligned.



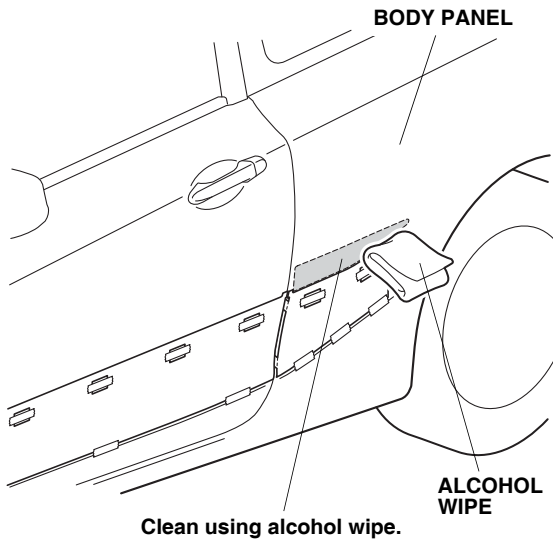
- Using two alcohol wipes, clean the surface of the left door and body panel above the templates where the body side moldings will attach. Allow the alcohol to dry before installing the side moldings.

LEFT FRONT BODY SIDE MOLDING



Q0N0406AJ

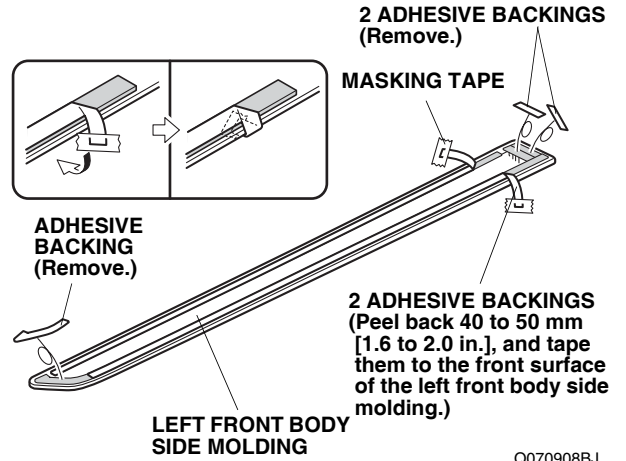
LEFT REAR BODY SIDE MOLDING



Q0N0407AJ

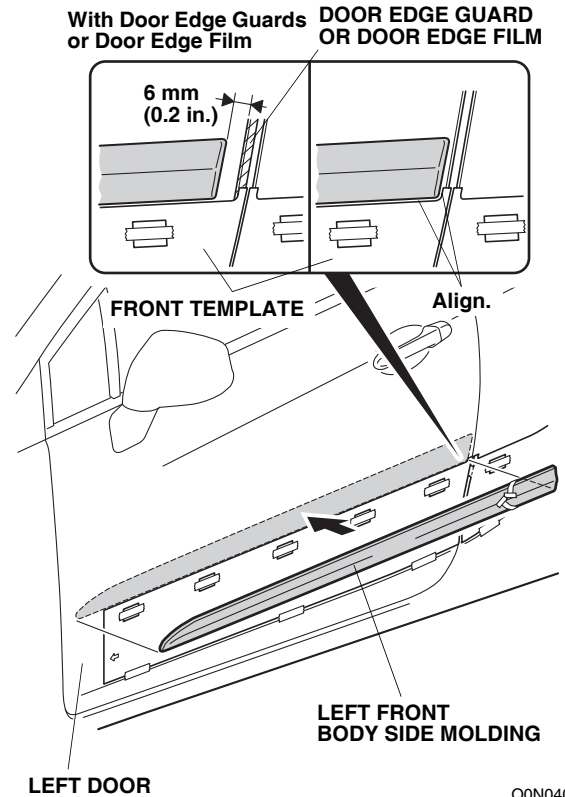
Installing the Front Body Side Moldings

- Peel back about 40 to 50 mm (1.6 to 2.0 in.) of adhesive backing from each adhesive strip, and tape the ends to the front surface of the left front body side molding. Remove the other adhesive backings.



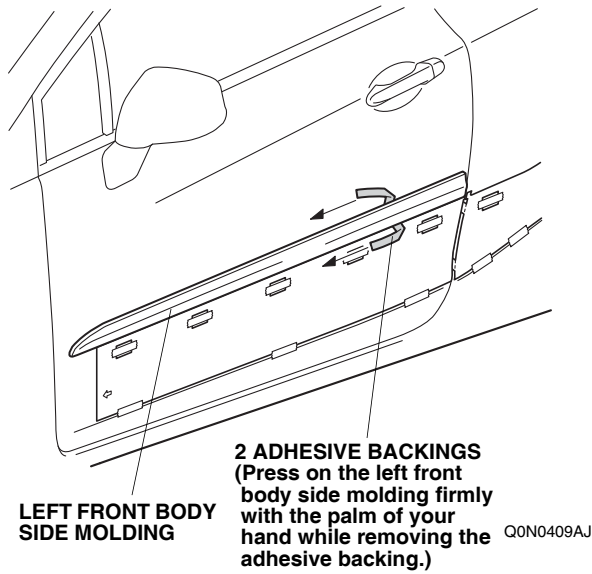
Q070908BJ

- Align the edges of the left front body side molding with the edges of the front template, and attach the left front body side molding to the left door.
 - If the vehicle is equipped with door edge guards or door edge film, attach the left front body side molding at the indicated position.

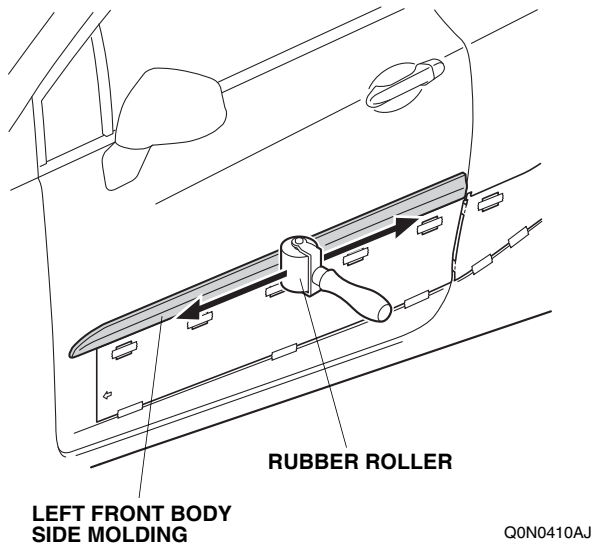


Q0N0408AJ

11. Press on the left front body side molding firmly with the palm of your hand while removing about 50 to 100 mm (2.0 to 3.9 in.) of the adhesive backing at a time.

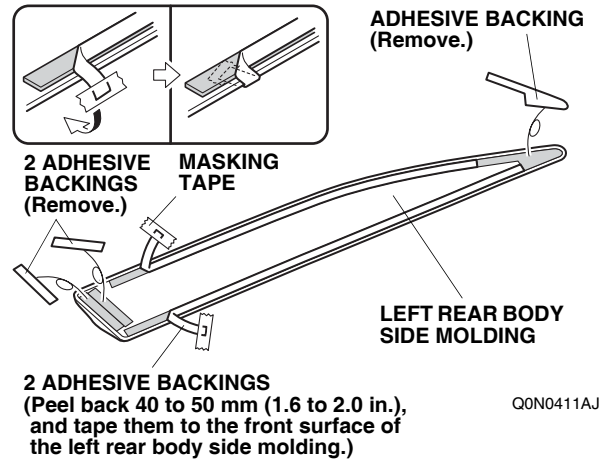


12. Using a rubber roller, apply firm pressure while rolling to set the adhesive. Apply firm pressure especially at the ends.

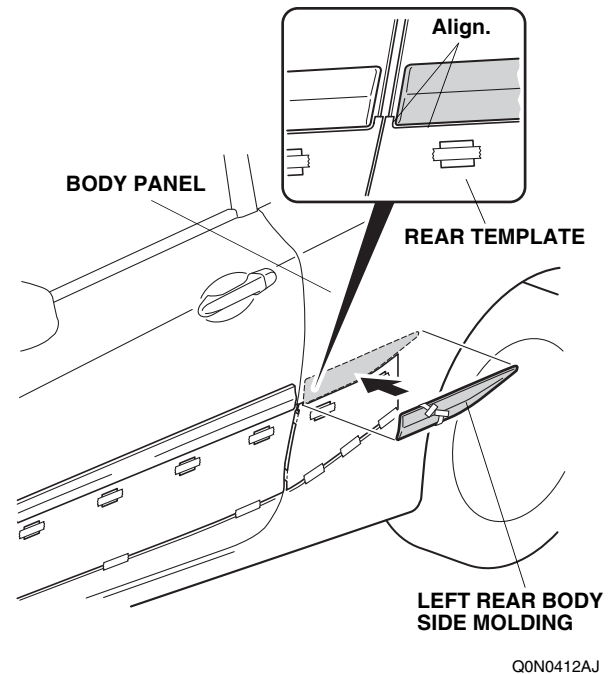


Installing the Rear Body Side Moldings

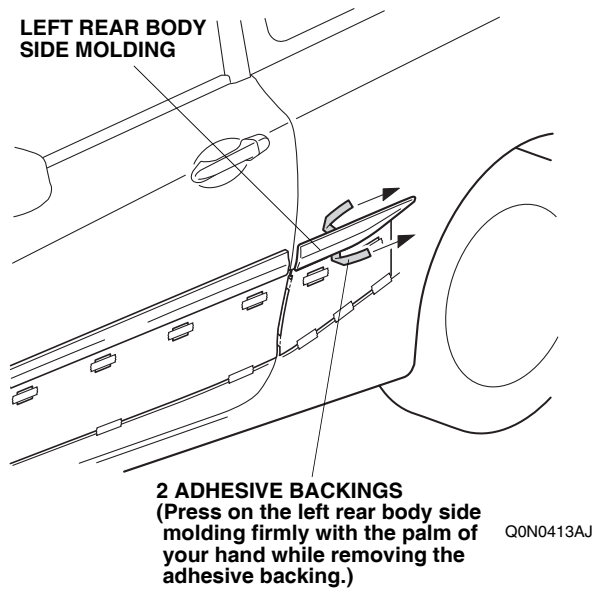
13. Peel back about 40 to 50 mm (1.6 to 2.0 in.) of adhesive backing from each adhesive strip, and tape the ends to the front surface of the left rear body side molding. Remove the other adhesive backings.



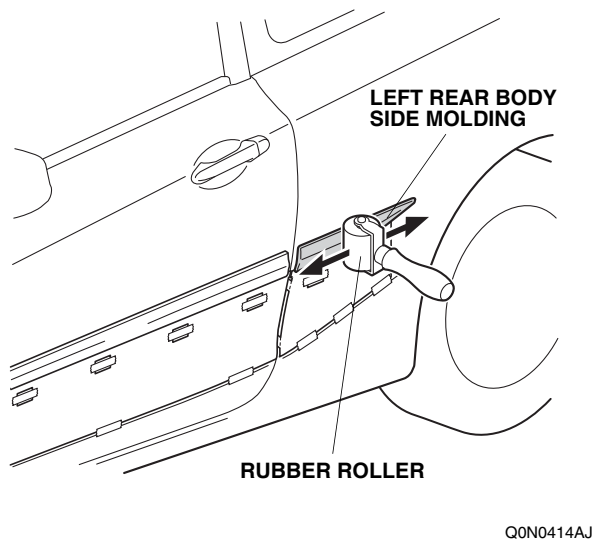
14. Align the edges of the left rear body side molding with the edges of the rear template, and attach the left rear body side molding to the body panel.



15. Press on the left rear body side molding firmly with the palm of your hand while removing about 50 to 100 mm (2.0 to 3.9 in.) of the adhesive backing at a time.



16. Using a rubber roller, apply firm pressure while rolling to set the adhesive. Apply firm pressure especially at the ends.



17. Remove the front and rear templates.
18. Turn the front and rear templates over, and repeat steps 1 through 17 to install the right body side moldings on the right side of the vehicle.